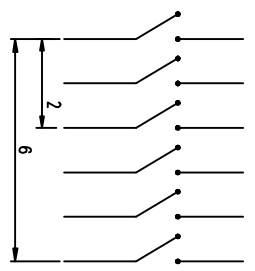
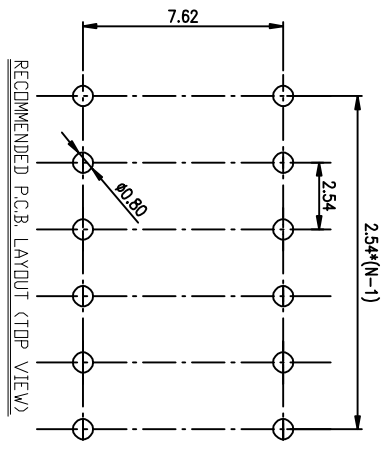
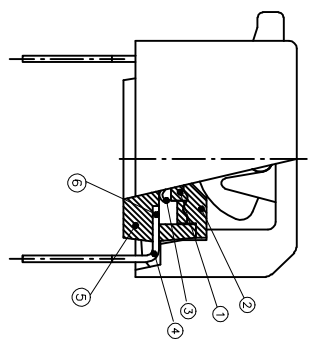
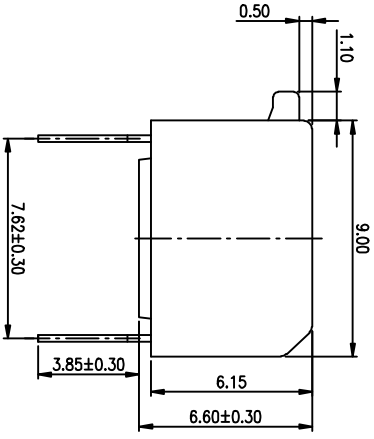
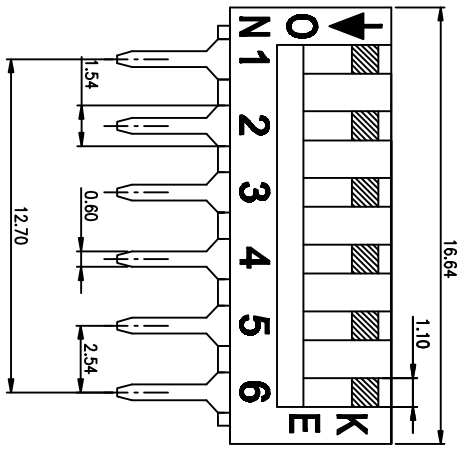


PRODUCT NO. DSPV06LHGCT  
RoHS compliant



NOTES : 1 Specification:

- 1>.Operating force:10000gf Max
- 2>.Operating Temperature: -40° to+85°
- 3>.Storage Temperature: -40° to+85°
- 4>.Mechanical Life:3000cycles minimum
- 5>Electrical Life:2000cycles minimum

2. PLATING:

GOLD FLASH 1u”(min.) SOLDER TALL,  
3u” GOLD PLATING ON THE CONTACT AREA,  
WITH 50u” NICKEL UNDERPLATINGOVERALL.

3. CONTACT RATING:

- 1.SWITCHING:25mA at 24VDC
- 2.NON-SWITCHING:100mA at 50VDC
- WITH 50u” NICKEL UNDERPLATINGOVERALL.

4. PART NUMBER DESCRIPTION :

DS XX I S G E T  
 [Packing: T=Tube R=Reel]  
 [Finish: F=3u” Gold-plated F=10u” Gold-plated]  
 [Finish: G=Full Gold S=Contact-Gold-plated]  
 [Terminal: S=SMD type B=Strait:.....]  
 [Actuator: T=Tape sealed S=Low profile W/O Tape L=Extension]  
 [HP=Half Pitch IC=IC type PV=Plano type]

Number	Part Name	Material	Finished
①	Actuator	UL94 V0	White
②	Cover	UL94 V0	Black
③	Movable	Copper Alloy	3u” Gold
④	Terminal	Brass	1u” Gold
⑤	Base	UL94 V0	Black
⑥	Terminal Contact	Brass	3u” Gold

TOLERANCE UNLESS OTHERWISE SPECIFIED		INSPECTION	
LINER	ANGLES	COPY	PROJECTION
0 ± 0.25	0 ± 2°		
.00 ± 0.15	.0 ± 1°		
.000± 0.10	.00± 0.5°		
DESIGN	kathy	03/20/12	
DRAWING			
CHECK			
APPRO.			

<p>東莞精密電子股份有限公司 Dongguan Kingtek Industrial Co., Ltd.</p>			
TITLE			
BY DSPV SERIES PITCH 2.54mm			
PRODUCT FAMILY DSPV SERIES			
PRAT NO. DSPV06LHGCT			
FILE NO.	DSPV06LHGCT-A	UNIT	SHEET
SIZE	mm	SCALE	1
		Z	1
		TOP	1
		REV.	A