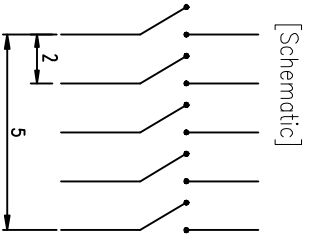
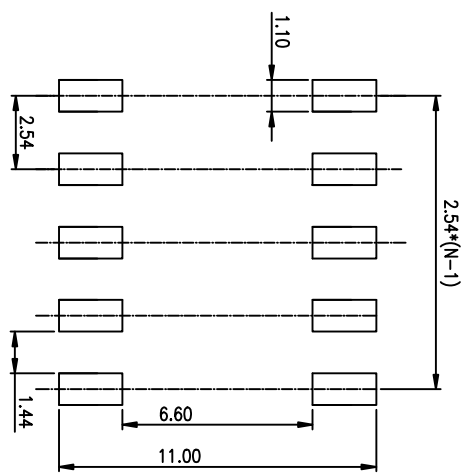
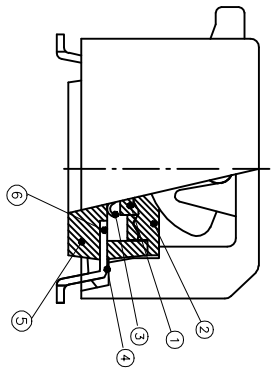
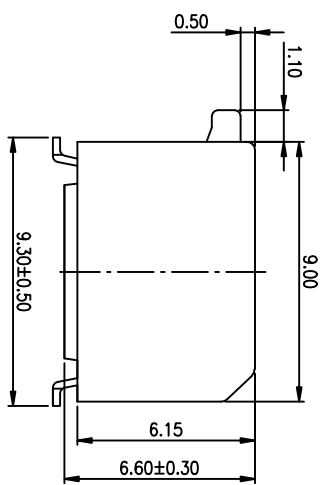
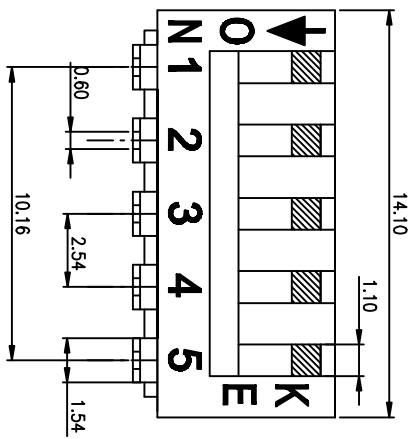


PRODUCT NO. DSPV05LSGET  
RoHS compliant



DS XX T S G E T  
 [Packing: T=Tube R=Reel]  
 [Finish: F=3u" Gold-plated F=10u" Gold-plated]  
 [Finish: G=Full Gold S=Contact-Gold-plated]  
 [Terminal: S=SMD type B=Strait.....]  
 [Actuator: T=Tape sealed S=Low profile W/O Tape L=Extension]  
 [HP=Half Pitch IC=IC type PV=Plano type]

- NOTES : 1 Specification:  
 1>.Operating force:10000gf Max  
 2>.Operating Temperature: -40° to+85°  
 3>.Storage Temperature: -40° to+85°  
 4>.Mechanical Life:3000cycles minimum  
 5>Electrical Life:2000cycles minimum
2. PLATING:  
 GOLD FLASH 1u"(min.) SOLDER TALL,  
 3u" GOLD PLATING ON THE CONTACT AREA,  
 WITH 50u" NICKEL UNDERPLATINGOVERALL.
3. CONTACT RATING:  
 1.SWITCHING:25mA at 24VDC  
 2.NON-SWITCHING:100mA at 50VDC  
 WITH 50u" NICKEL UNDERPLATINGOVERALL.
4. PART NUMBER DESCRIPTION :

Number	Part Name	Material	Finished
①	Actuator	UL94 V0	White
②	Cover	UL94 V0	Black
③	Movable	Copper Alloy	3u" Gold
④	Terminal	Brass	1u" Gold
⑤	Base	UL94 V0	Black
⑥	Terminal Contact	Brass	3u" Gold

TOLERANCE UNLESS OTHERWISE SPECIFIED		INSPECTION	
LINER	ANGLES	COPY	PROJECTION
0 ± 0.25	0 ± 2'		
.00 ± 0.15	.0 ± 1'		
.000± 0.10	.00± 0.5'		
DESIGN	kathy	03/20/12'	
DRAWING			
CHECK			
APPRO.			

德馨精密電子股份有限公司 Dongguan Kingtek Industrial Co., Ltd.			
TITLE			
BY DSPV SERIES PITCH 2.54mm			
PRODUCT FAMILY DSPV SERIES			
PRAT NO. DSPV05LSGET			
FILE NO.	DSPV05LSGET-A	SIZE	UNIT
SCALE	SHEET	SCALE	SHEET
REV.	REV.	TOP	REV.
A4	mm	Z : 1	TOP: 1 A