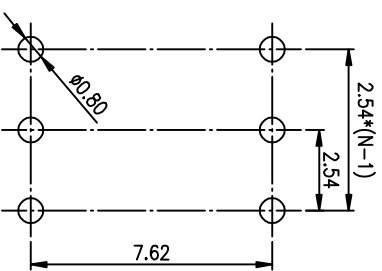
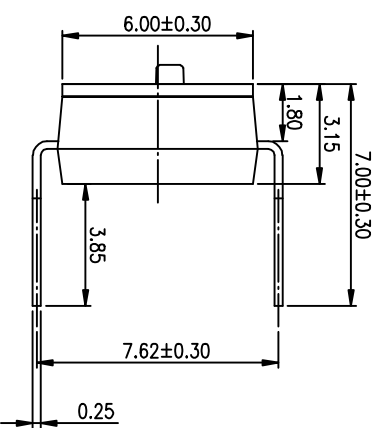
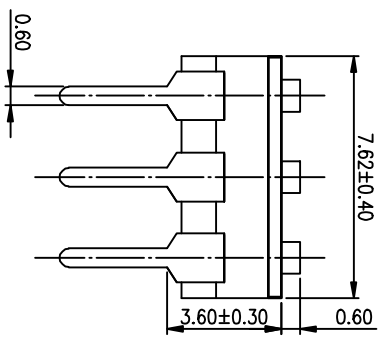
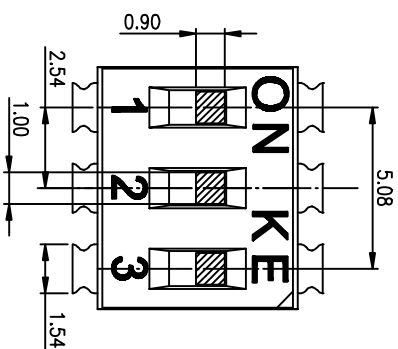
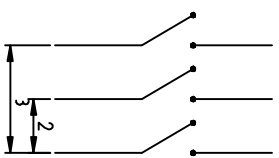


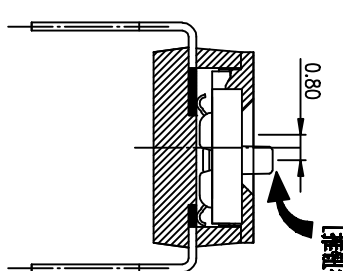
PRODUCT NO.	DISCO31HGET
RoHS compliant	



**RECOMMENDED P.C.B. LAYOUT (TOP VIEW)**



[Schematic]



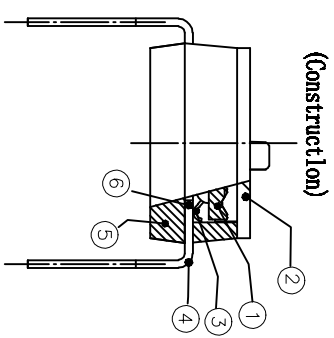
[推板行程]

- NOTES :
- 1> Specification:
    - 1> Operating force: 1000gf Max
    - 2> Operating Temperature: -40° to +85°
    - 3> Storage Temperature: -40° to +85°
    - 4> Mechanical Life: 3000cycles minimum
    - 5> Electrical Life: 2000cycles 25mA 24VDC
  2. PLATING:
    - GOLD FLASH 1u"(min.) SOLDER TAIL,
    - 3u" GOLD PLATING ON THE CONTACT AREA,
    - WITH 50u" NICKEL UNDERPLATING OVERALL.

3. PART NUMBER DESCRIPTION

DISC XX I S G E T

- [包装方式: T=管装 R=盒装]
- [电镀层: B=镀锡3u" G=镀镍3u" / 厚镀层: 2u"]
- [G=鍍金 S=內金外鍍]
- [脚型: S脚 / J脚 / 環 / A脚 / Z脚]
- [T=低推板度 S=低推不板度 L=长推]
- [产品规格: 01=1P 02=2P 03=3P ..... 12=12P]



(Construction)

Number	Part Name	Material	Finished
①	Actuator	UL94 V0	White
②	Cover	UL94 V0	Black
③	Movable	Copper Alloy	3u"Gold
④	Terminal	Brass	1u"Gold
⑤	Base	UL94 V0	Black
⑥	Terminal Contact	Brass	3u"Gold

TOLERANCE UNLESS OTHERWISE SPECIFIED		INSPECTION COPY	
LINER	ANGLES	PROJECTION	COPY
0 ± 0.25	0. ± 2'	0	
.00 ± 0.15	.0 ± 1'	0.00 ± 0.10	
.000 ± 0.10	.00 ± 0.5'		

DESIGN: kathy 2012/04/12

DRAWING CHECK APPRO.

FILE NO. DISCO31HGET-A  
 UNIT SCALE SHEET REV.  
 SIZE mm 2 : 1 10F-1 A

**KE** 德普特电子股份有限公司  
 Dongguan Kingtek Industrial Co., Ltd.

BY DISC SERIES PITCH 2.54mm

PRODUCT FAMILY DISC SERIES

PRAT NO. DISCO31HGET