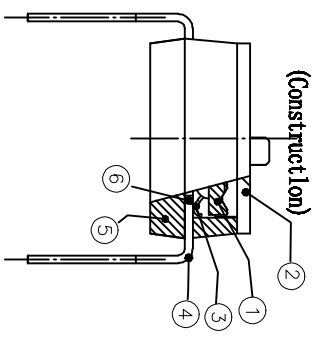
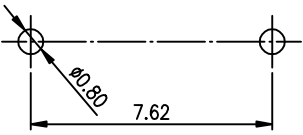
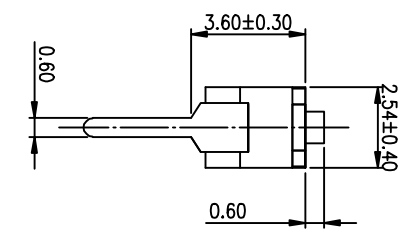
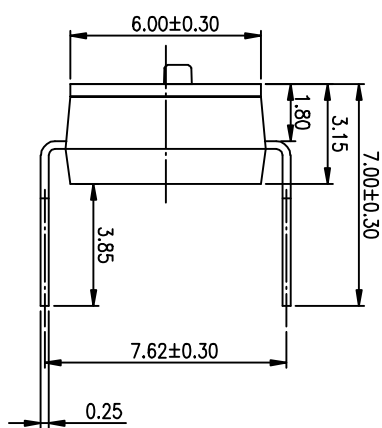
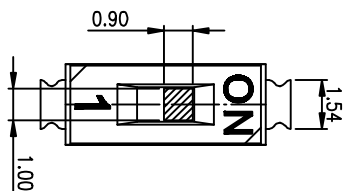


PRODUCT NO.	DISC01LHGET
RoHS compliant	



**RECOMMENDED P.C.B. LAYOUT (TOP VIEW)**

Number	Part Name	Material	Finished
①	Actuator	UL94 V0	White
②	Cover	UL94 V0	Black
③	Movable	Copper Alloy	3u"Gold
④	Terminal	Brass	1u"Gold
⑤	Base	UL94 V0	Black
⑥	Terminal Contact	Brass	3u"Gold

TOLERANCE UNLESS OTHERWISE SPECIFIED		INSPECTION COPY	
LINER	ANGLES	PROJECTION	COPY
0 ± 0.25	0 ± 2'		BY DISC SERIES PITCH 2.54mm
.00 ± 0.15	.0 ± 1'		
.000± 0.10	.00± 0.5'	DESIGN	PRODUCT FAMILY DISC SERIES
		DRAWING	PRAT NO. DISC01LHGET
		CHECK	FILE NO. DISC01LHGET-A
		APPRO.	SIZE UNIT SCALE SHEET REV.
			A4 mm 2 : 1 10F-1 A

**RE** 總實特微電子股份有限公司  
Dongguan Kingtek Industrial Co., Ltd.

- NOTES :
- 1> Specification:
    - 1> Operating force: 1000gf Max
    - 2> Operating Temperature: -40° to+85°
    - 3> Storage Temperature: -40° to+85°
    - 4> Mechanical Life: 3000cycles minimum
    - 5> Electrical Life: 2000cycles 25mA 24VDC
  2. PLATING:
    - GOLD FLASH 1u"(min.) SOLDER TAIL,
    - 3u" GOLD PLATING ON THE CONTACT AREA,
    - WITH 50u" NICKEL UNDERPLATINGOVERALL.

3. PART NUMBER DESCRIPTION

- DISC XX I S G E T
- [包裝方式: T=管裝 R=盒裝]
  - [電鍍層: B=鍍鍍銀3u" G=鍍鍍銀3u" / 鍍鍍銀1-2u"]
  - [G=鍍金 S=內金少鍍]
  - [腳型: S脚 / J脚 / 環 / A脚 / Z脚]
  - [T=低推力度 S=低推不推度 L=長推]
  - [產品碼: 01=1P 02=2P 03=3P ..... 12=12P]

